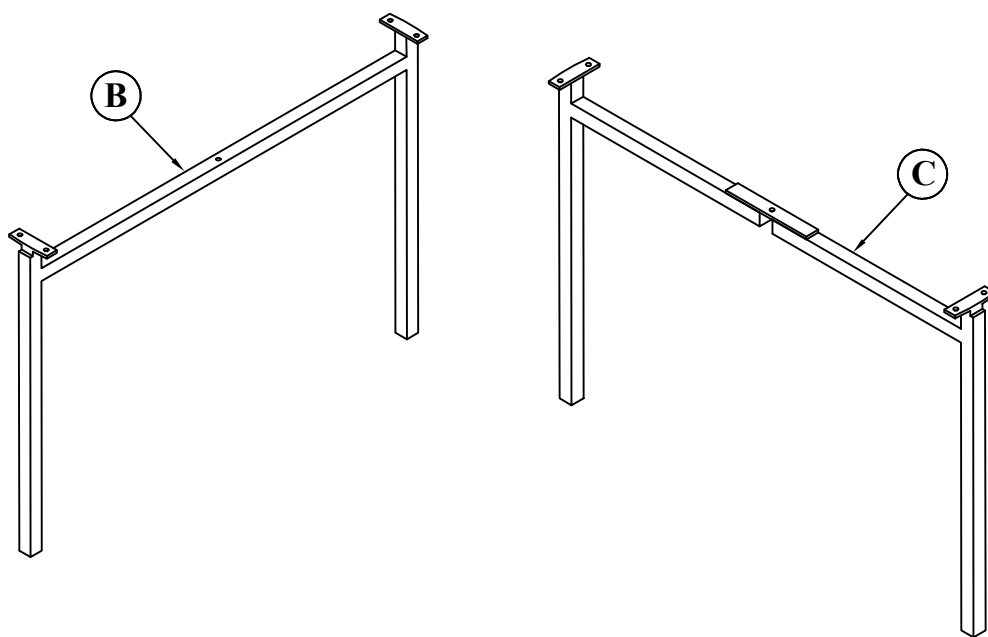
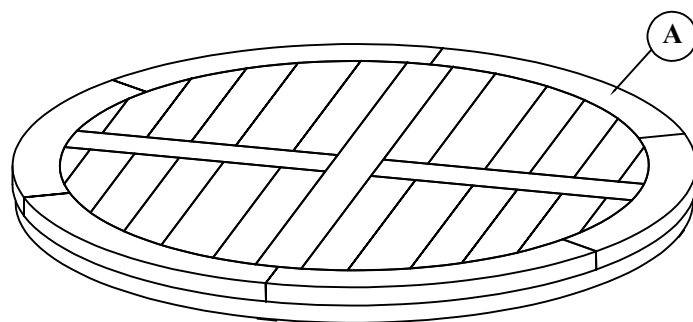


BRAEDEN DINING TABLE / TABLE BRAEDEN

URBAN BARN

ASSEMBLY INSTRUCTIONS / INSTRUCTIONS D'ASSEMBLAGE



D



Ø 1/4" x 3/4"
8x

E



9x

F



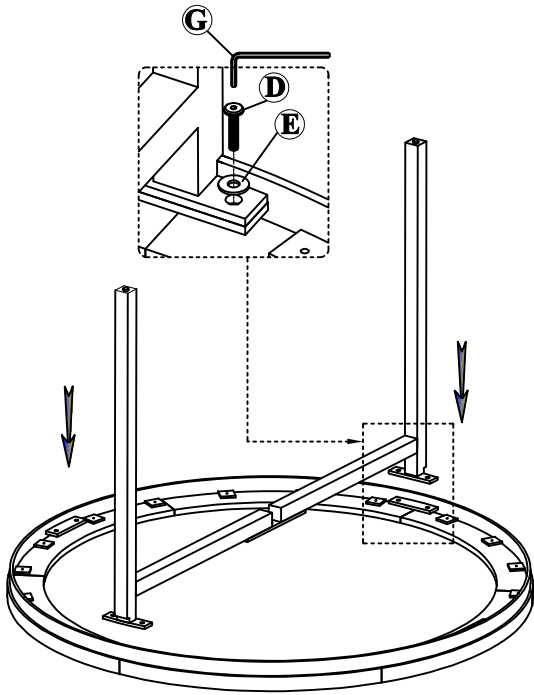
Ø 1/4" x 1 1/2"
1x

G

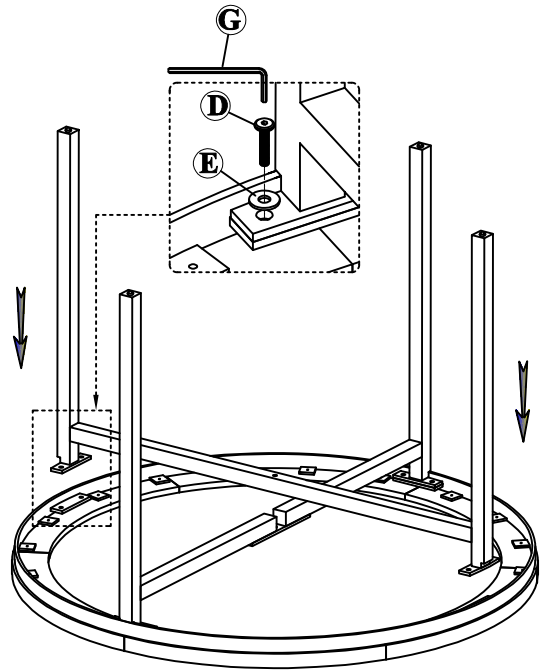


1x

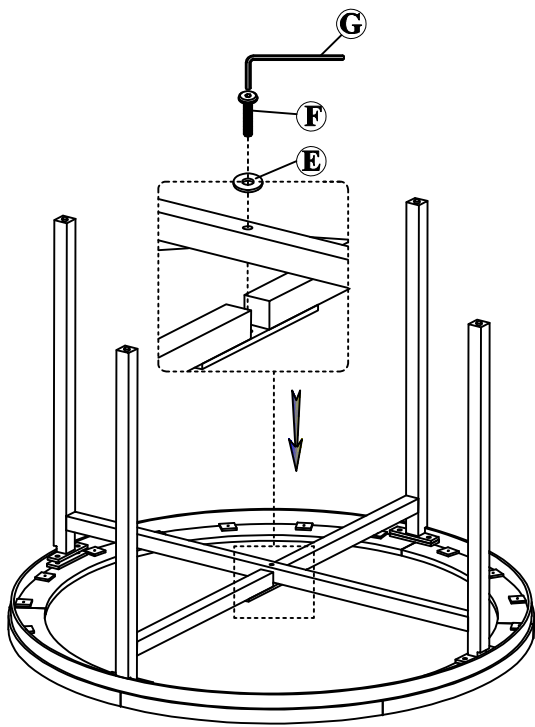
1



2



3



4

